



**KERN & Sohn GmbH**

Ziegelei 1  
72336 Balingen-Frommern  
Germany

+0049-[0]7433-9933-0  
+0049-[0]7433-9933-149  
info@kern-sohn.com

# Installation instructions

## Tripod

### KERN BFS

Type BFS A07

Version 1.2  
2024-08  
E



**BFS\_A07-IA-2412**



# **Tripods**

Version 1.2 2024-08

## **Installation instructions**

---

---

### Table of contents

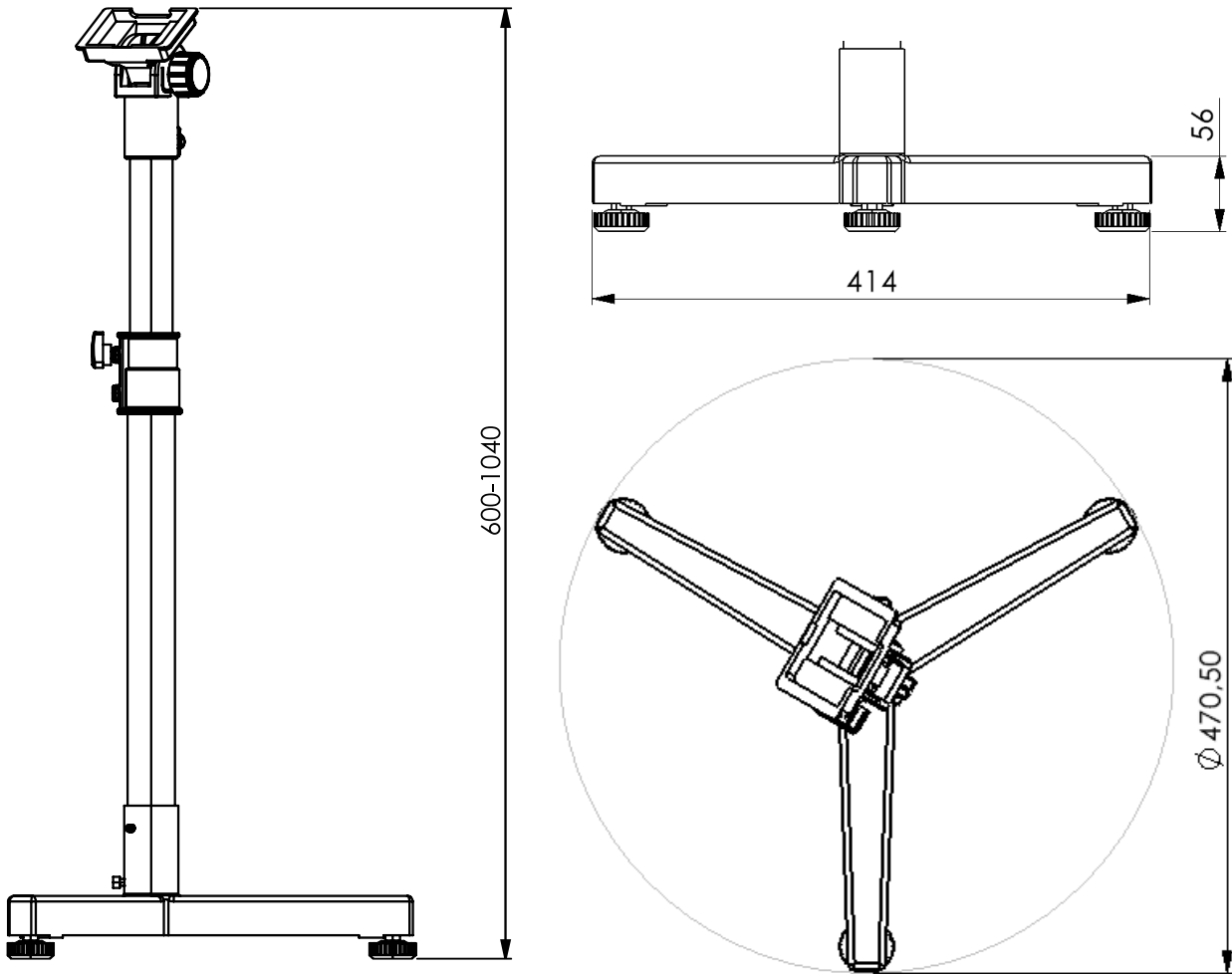
<b>1</b>	<b>Technical data</b> .....	<b>3</b>
1.1	Dimensions .....	3
<b>2</b>	<b>Scope of delivery</b> .....	<b>4</b>
<b>3</b>	<b>Installation</b> .....	<b>6</b>

# 1 Technical data

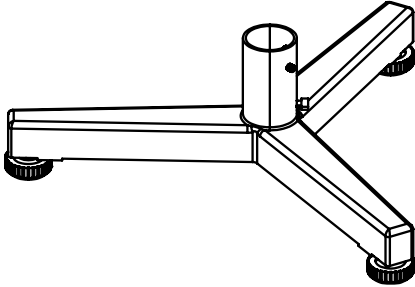
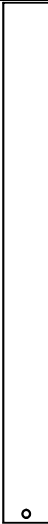
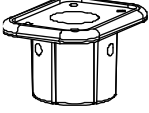

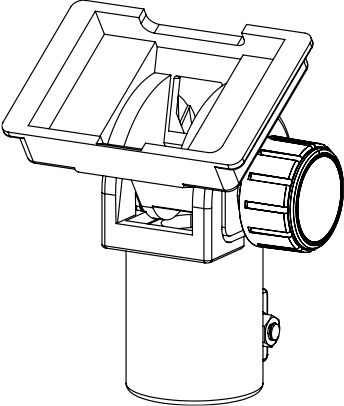
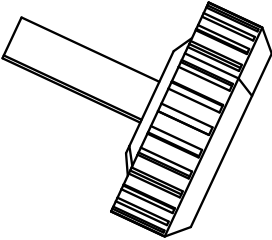
CORE	BFS-A07
Tripod height (mm)	600-1040

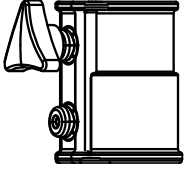
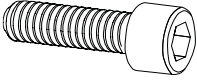
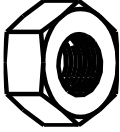
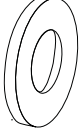
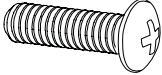
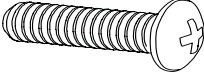

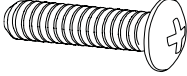
## 1.1 Dimensions

- Dimensions in mm



## 2 Scope of delivery

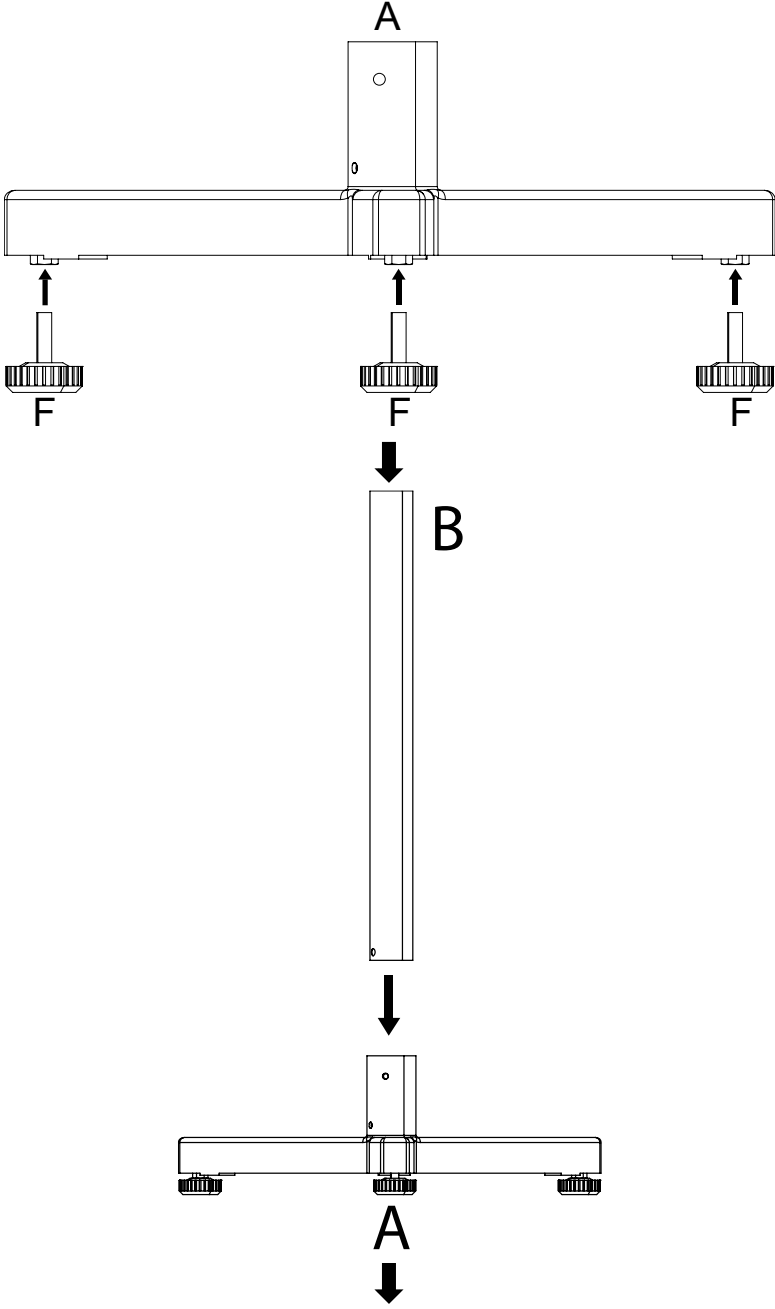
 <p><b>A</b> Tripod base 1 x</p>	 <p><b>B*</b> Tripod tube at the bottom 1 x</p>	 <p><b>C</b> Holder for display unit 1 x</p>
 <p><b>D*</b> Tripod tube top 1 x</p>	 <p><b>E</b> Display unit holder 1 x</p>	 <p><b>F</b> Foot screws 4 x</p>

 <p><b>G*</b></p> <p>Pipe connector</p> <p>1 x</p>	 <p><b>S1</b></p> <p>M6 x 20</p> <p>1 x</p>	 <p><b>S2</b></p> <p>M8 nut</p> <p>4 x</p>
 <p><b>S3</b></p> <p>Washer</p> <p>1 x</p>  <p><b>S7</b></p> <p>M4 x 10</p> <p>4 x</p>	 <p><b>S5</b></p> <p>M7 x 10</p> <p>1x</p>  <p><b>S8</b></p> <p>M6 x 10 grub screw</p> <p>2 x</p>	 <p><b>S6</b></p> <p>M5 x 16</p> <p>3 x</p>

B, D and G are supplied in pre-assembled condition.

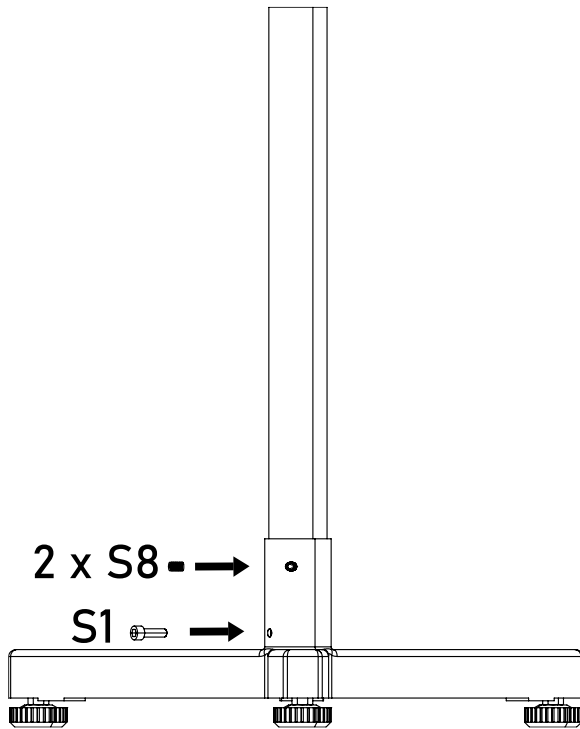
### 3 Installation

Realisation:

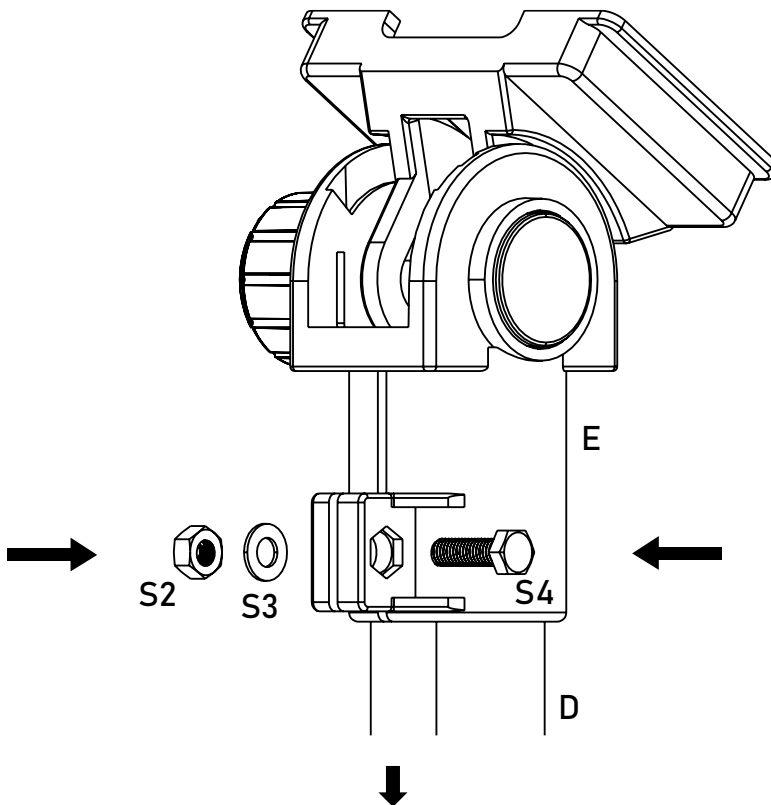


⇒ Screw the foot screws into the tripod base

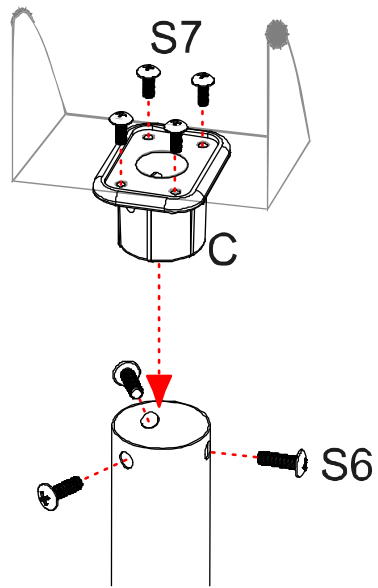
⇒ Insert the lower tube (B) into the stand base



⇒ Secure the pipe using the screws



⇒ Insert the holder (E) for the display unit into the upper end of the stand tube (D) and fasten with the screw (S4). Lock on the opposite side with the washer (S3) and the nut (S2)



- ⇒ Insert the adapter (**C**) for the display unit into the upper end of the stand tube (**D**) and fasten with the screws (**S6**).
- ⇒ Fasten the display unit to the holder for the display unit using the screws (**S7**).